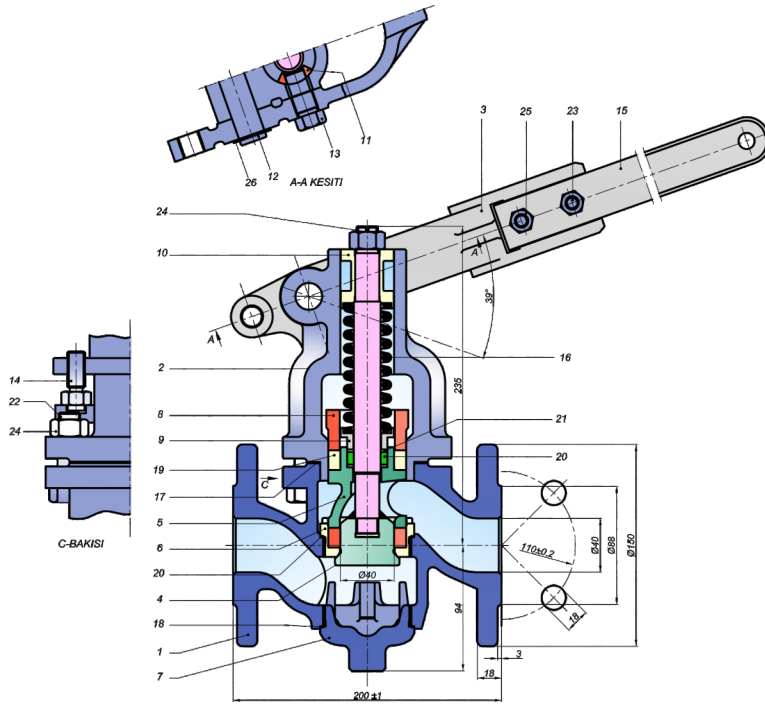


Boiler Blowdown Valve

DN 32-40-50

Type: AKV

Boiler Blowdown Valve is used to discharge the accumulated sediments like dirt and crust, in pressure vessels and steam boilers. Stainless steel piston and elastic sealing ring ensure sealing with high safety. By spring return design, pushing down the handle enables very fast opening, and releasing the handle closes the valve spontaneously.



P.No	Part Name	Material
1	Body	1.0619
2	Bonnet	1.0619
3	Handle	1.0619
4	Piston	1.4021
5	Lantern Bush	1.4021
6	Bottom Ring Holder	1.4021
7	Bottom Bonnet	1.0619
8	Gland Retainer	1.0619
9	Gland Bush	Ms-58
10	Stroke Bush	Ms-58
11	Stroke Bush Support	Ms-58
12	Pin	St-37
13	Lock Screw	St-37
14	Setting Bolt	1.0619
15	Handle Extension	St-40
16	Spring	1.4301
17	Gasket	Klingerit
18	Gasket	Cu
19	Sealing Ring	YX-GT
20	Sealing Ring	YX-GT
21	Sealing Ring	KFC
22	Bolt	8.8+Gal.
23	Bolt	8.8+Gal.
24	Nut	8.8+Gal.
25	Nut	8.8+Gal.
26	Snap Ring	----

DN	Nominal Dia.		Dimensions				Assembly Size				
Type	mm	inch	L	H	D	b	g	f	Hole Nr.	l	k
AKV 32/40	40	1 1/2"	200	465	140	18	78	2	4	18	100
AKV 40	40	1 1/2"	200	465	150	18	88	3	4	18	110
AKV 50/40	40	1 1/2"	200	465	165	20	102	3	4	18	125